



POLARFOAM PF-7300-0

URETHANE FOAM INSULATION MATERIAL

SOYA

ZERO OZONE
DEPLETION SUBSTANCE

RECYCLED PLASTICS

VEGETABLE OIL

ECOLOGICAL INSULATION

The All-In-One Wall System

Polyurethane
Foam
Systems
Inc.
PFSI



- Air Infiltration – A Vicious Circle
- In cool weather, heat escapes.
- In warm weather, cool air escapes.
- Air infiltration takes away your energy efficiency.

INSULATION MADE FROM *RECYCLED PLASTICS* AND *SOYA*

POLARFOAM PF-7300-0

SOYA



RECYCLED PLASTICS



VEGETABLE OIL



SOYA

Since the implementation of the Montreal Protocol agreement, the plastic insulation industry has had the challenge of eliminating all the **Ozone Depletion Substances (ODS)** in their products. In the **sustainable development** approach, PFSI is proud to present its new generation of Spray Polyurethane Foam Insulation **Polarfoam PF-7300-0 SOYA**. An ecological insulation with Zero Ozone Depletion Substance (**ZERO ODS**) made from **renewable vegetable oils** and **recycled plastics**. Today, your **plastic bottles** are recycled into a high performance Spray Polyurethane Foam insulation.

Polarfoam PF-7300-0 SOYA meets all the requirements of the National Building Code of Canada (NBC) and exceeds the quality Standard **CAN / ULC S 705.1** "Standard for Thermal Insulation Spray Applied Rigid Polyurethane Foam, Medium Density, Material Specification".

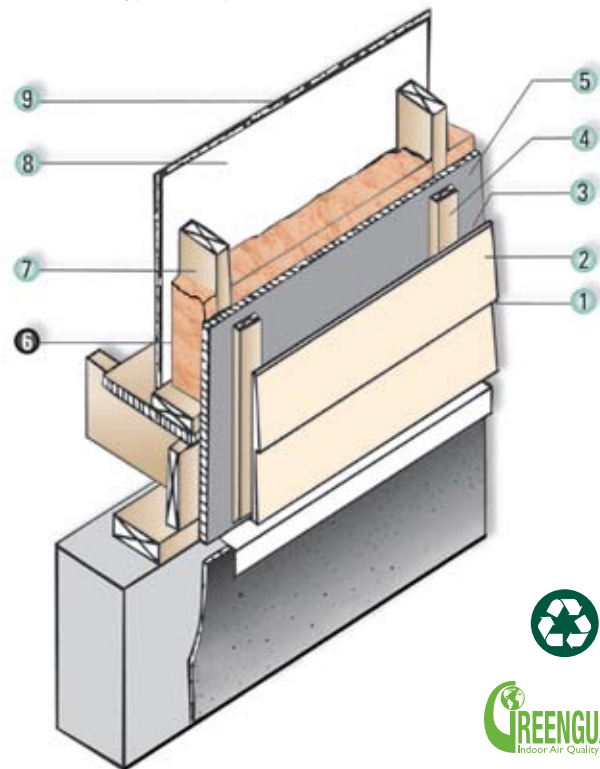
This new **ecological spray foam insulation** gives in a one step application a high long-term thermal resistance, an air-barrier material exceeding 500 times the NBC requirements as well as a vapour-barrier. Approved by Canadian Construction Material Centre CCMC #13244-L.

With one ecological insulation material **Polarfoam PF-7300-0 SOYA** you get the 3 essential properties for a high efficiency-building envelope in a single application. Consequently, you reduce the cost of the project as well as its energy consumption.

Polarfoam PF-7300-0 SOYA, the way to a better tomorrow.

TYPICAL WALL

Wall components	R	RSI
① Outside air film	0.17	0.03
② Vinyl cladding	0.61	0.11
③ Airspace 3/4"	1.02	0.18
④ Strapping 3/4"	--	--
⑤ Exterior gypsum board 1/2"	0.42	0.07
⑥ Polarfoam PF-7300-0 SOYA (3")	18	3.10
⑦ Structure 2" X 4"	--	--
⑧ Int. gypsum board 1/2"	0.42	0.07
⑨ Inside air film	0.68	0.12
Total R Value	21.32	3.68



Zero Ozone Depletion Substance **ZeroODS**
 Made from vegetable oils and recycled plastic bottles
 A durable high efficiency insulation system
 Conforms to the LEED program



INSULATION, AIR BARRIER & VAPOUR BARRIER

POLYURETHANE FOAM SYSTEMS INC. 440 Conestogo Road Waterloo, ON N2L 4E2

P: 519.884.0688 F: 519.884.7300 Toll Free: 1.888.783.0751 www.polyurethanefoamsystems.com